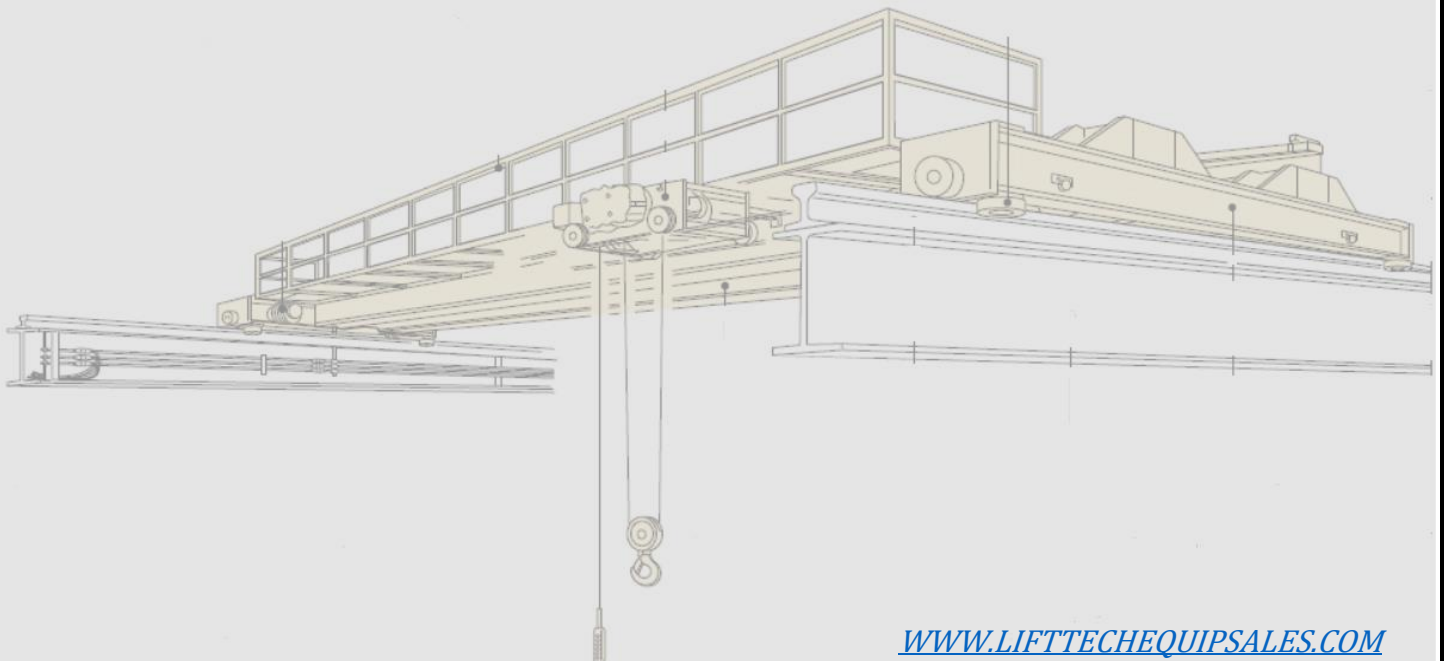




**LIFTING &
MOVING
SOLUTIONS**



LIFTTECH EQUIP SALES SERVICES AND PACKAGING SOLUTIONS PVT LTD

Shop No. 4, Shivdeep Apartment, S. No. 2351/ 03, Pune Nashik Highway, Balaji Nagar, Medankarwadi, Chakan, Tal- Kheda, Dist- Pune, 410501

Company Overview

- 1. OUR COMPANY**
- 2. DEALER BUSINESS**
- 3. FROM OUR OFFICE AND FACTORY PREMISES**
- 4. LIFTTECH PRODUCTS RANGE**
- 5. LIFTTECH – SUCCESSFULLY INSTALLED PROJECTS.**
- 6. INDUSTRIES AND CUSTOMERS WE SERVE**

LIFTTECH EQUIP SALES SERVICES AND PACKAGING SOLUTIONS PVT LTD

Shop No. 4, Shivdeep Apartment, S. No. 2351/ 03, Pune Nashik Highway, Balaji Nagar, Medankarwadi, Chakan, Tal- Kheda, Dist- Pune, 410501

LIFTTECH

Cranes

Yours Trusted Partner in your lifting needs

ISO 9001: 2015

(Quality Management Systems)

Started in 2021 with Multiple Dealership in Industrial tools & Equipment along with Its Manufacturing, Fabrication Unit for MHE Product and precision product for some of leader in Elevators Industries also awarded with Sales & Service Authorization for KITO India One of Market leader in overhead MHE product in 2021.

Became a Manufacturer for

LIFTTECH

Yours Trusted Partner in your lifting needs

Cranes

2020-2021

LIFTTECH

Yours Trusted Partner in your lifting needs

Cranes

Authorised Dealer For

KITO



GUNNEBO[®]
Industries

LIFTTECH EQUIP SALES SERVICES AND PACKAGING SOLUTIONS PVT LTD

Shop No. 4, Shivdeep Apartment, S. No. 2351/ 03, Pune Nashik Highway, Balaji Nagar, Medankarwadi, Chakan, Tal- Kheda, Dist- Pune, 410501

LIFTTECH

Yours Trusted Partner in your lifting needs

Cranes



Vision

We are committed to provide our Excellent Technological products at the right time and at the right place with best price and excellent

Mission

To be referred as the most favorable manufacturing company in the Overhead and floor Material Handling Equipment

LIFTTECH EQUIP SALES SERVICES AND PACKAGING SOLUTIONS PVT LTD

Shop No. 4, Shivdeep Apartment, S. No. 2351/ 03, Pune Nashik Highway, Balaji Nagar, Medankarwadi, Chakan, Tal- Kheda, Dist- Pune, 410501

From Office and Factory Premises

Manufacturing facility Equip with state-of-the-art machinery for precision job Projects.



LIFTTECH EQUIP SALES SERVICES AND PACKAGING SOLUTIONS PVT LTD

Shop No. 4, Shivdeep Apartment, S. No. 2351/ 03, Pune Nashik Highway, Balaji Nagar, Medankarwadi, Chakan, Tal- Kheda, Dist- Pune, 410501

Our Office

An employee friendly office supports progressive work culture. It is imperative that the work place is conducive for generating quality output and to achieve desired result.

At LIFTTECH Equip Sales Pvt Ltd we ascertain comfortable workspace. Friendly ambience, good equipment proper storage facility and efficient system for each of staff member

Our Factory

Today LIFTTECH is having 10,000+ Sq Ft state of the art manufacturing plant equipped with up-to date machinery. We can easily cater to any inquiry with appropriate solutions as well as mass production for any big order, we setup our factory in such a way that we can cater any order with flawless supply chain.

LIFTTECH EQUIP SALES SERVICES AND PACKAGING SOLUTIONS PVT LTD

Shop No. 4, Shivdeep Apartment, S. No. 2351/ 03, Pune Nashik Highway, Balaji Nagar, Medankarwadi, Chakan, Tal- Kheda, Dist- Pune, 410501

KITO PRODUCT

Electrical Chain Hoists



Manual Chain Blocks



Manual Lever Blocks

LIFTTECH EQUIP SALES SERVICES AND PACKAGING SOLUTIONS PVT LTD

Shop No. 4, Shivdeep Apartment, S. No. 2351/ 03, Pune Nashik Highway, Balaji Nagar, Medankarwadi, Chakan, Tal- Kheda, Dist- Pune, 410501

Electrical Rope Hoists

Wire rope

Pull rotor type motor brake

Low control voltage for pendant

Inverter technology

Pull rotor brake

Aluminum casing

2.8t

Features of KITO RY Series Wire Rope Hoist

<p>Safety RY is equipped with cutting-edge safety system and the control voltage has been lowered (DC24V) to ensure safety for the operators.</p>	<p>Durability Excellent durability and a long service life is offered by utilizing KITO's electric chain hoist technology and originally designed inverter.</p>	<p>Ease of operation The ergonomic design makes it easy and effortless to use and provides comfortable operations even for long working hours.</p>
<p>Design A simple, modern and functional design accommodates wide variety of applications and demands.</p>	<p>Productivity The low-load high-speed function with the inverter is provided for better efficiency. Smooth movement is enabled with the soft start/stop function.</p>	<p>Total cost Maintenance time required is reduced by improved service life and serviceability, providing more value over time.</p>

LIFTTECH EQUIP SALES SERVICES AND PACKAGING SOLUTIONS PVT LTD

Shop No. 4, Shivdeep Apartment, S. No. 2351/ 03, Pune Nashik Highway, Balaji Nagar, Medankarwadi, Chakan, Tal- Kheda, Dist- Pune, 410501

Chain Sling And Hooks

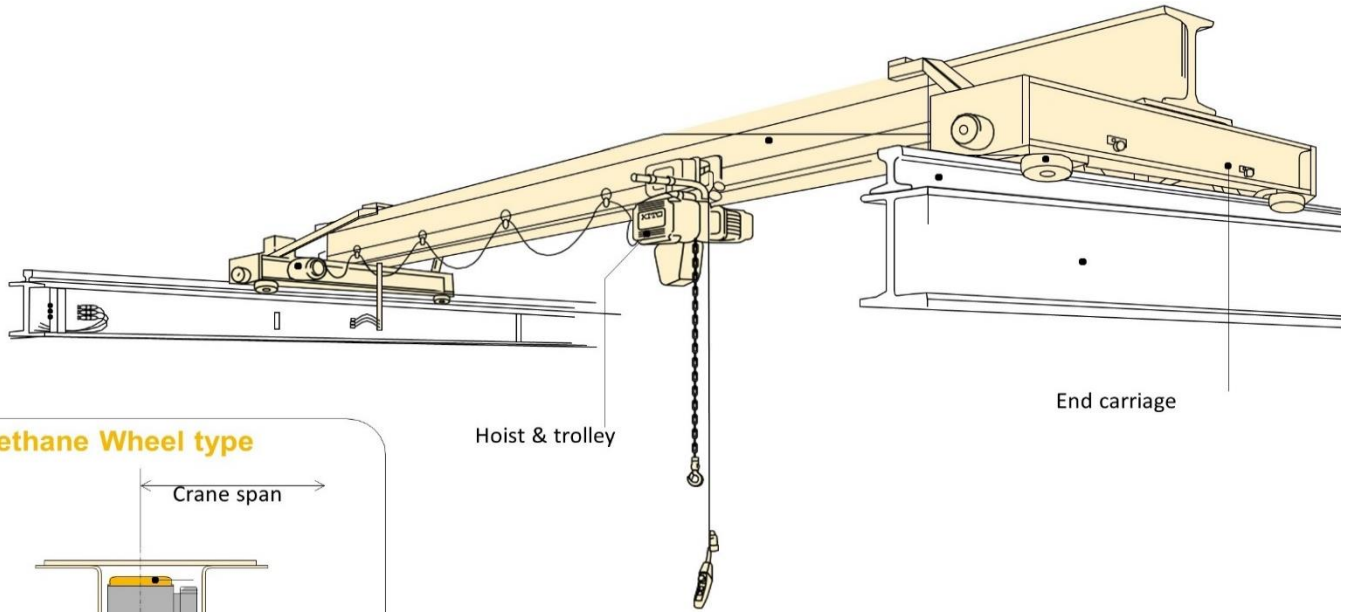
Premium partner:
GUNNEBO
Industries



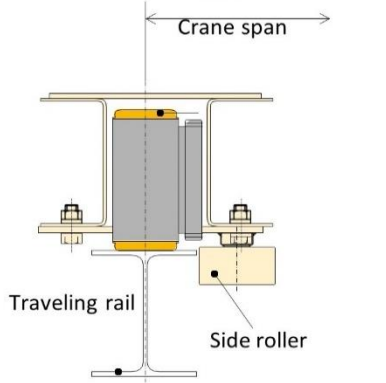
LIFTTECH EQUIP SALES SERVICES AND PACKAGING SOLUTIONS PVT LTD

Shop No. 4, Shivdeep Apartment, S. No. 2351/ 03, Pune Nashik Highway, Balaji Nagar, Medankarwadi, Chakan, Tal- Kheda, Dist- Pune, 410501

CRANES COMPONENTS

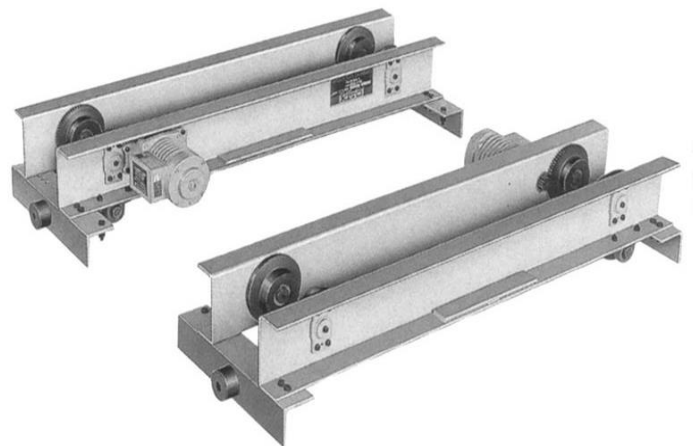


Urethane Wheel type



EOT CRANE- END CAR

UNDERSLUNG CRANE- END CAR



LIFTTECH EQUIP SALES SERVICES AND PACKAGING SOLUTIONS PVT LTD

Shop No. 4, Shivdeep Apartment, S. No. 2351/ 03, Pune Nashik Highway, Balaji Nagar, Medankarwadi, Chakan, Tal- Kheda, Dist- Pune, 410501

EOT Crane

LIFTTECH CRANES & PRODUCT

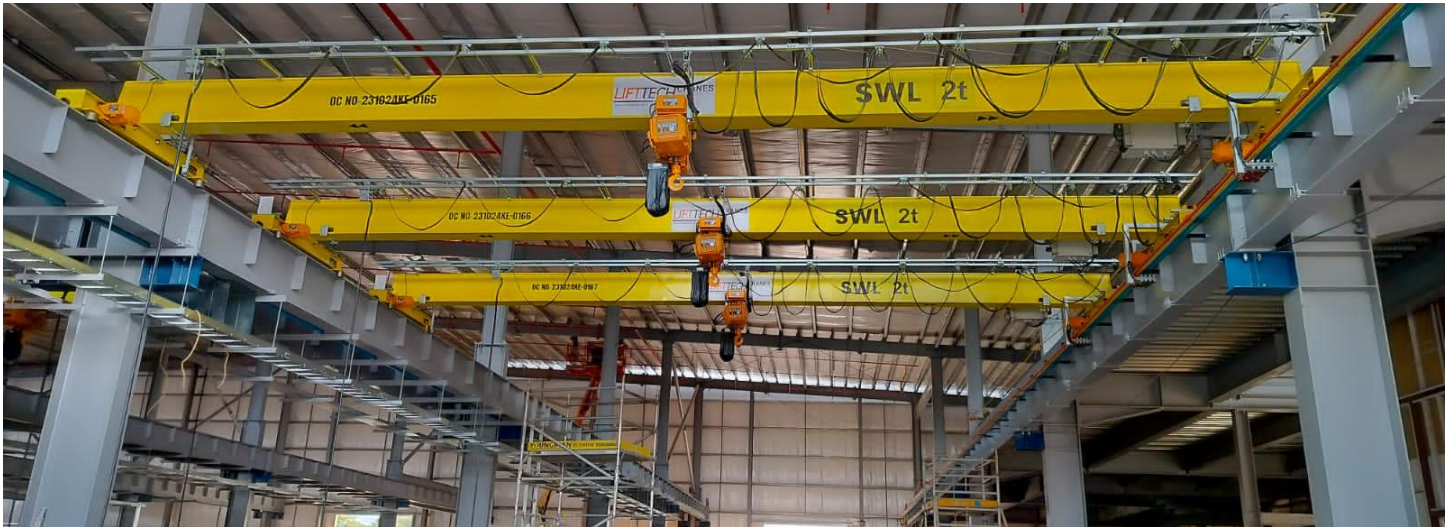
We manufacture Overhead Crane from 1t – 10t, and having design capability to goes up to 15t.

- SWL - 1t - 10t capacity
- Crane Type - Single Girder / Double Girder
- Span - 2.5m - 30m
- Height - 6m - 20m
- Application - for Continue / Heavy duty



LIFTTECH EQUIP SALES SERVICES AND PACKAGING SOLUTIONS PVT LTD

Shop No. 4, Shivdeep Apartment, S. No. 2351/ 03, Pune Nashik Highway, Balaji Nagar, Medankarwadi, Chakan, Tal- Kheda, Dist- Pune, 410501



LIFTTECH EQUIP SALES SERVICES AND PACKAGING SOLUTIONS PVT LTD

Shop No. 4, Shivdeep Apartment, S. No. 2351/ 03, Pune Nashik Highway, Balaji Nagar, Medankarwadi, Chakan, Tal- Kheda, Dist- Pune, 410501

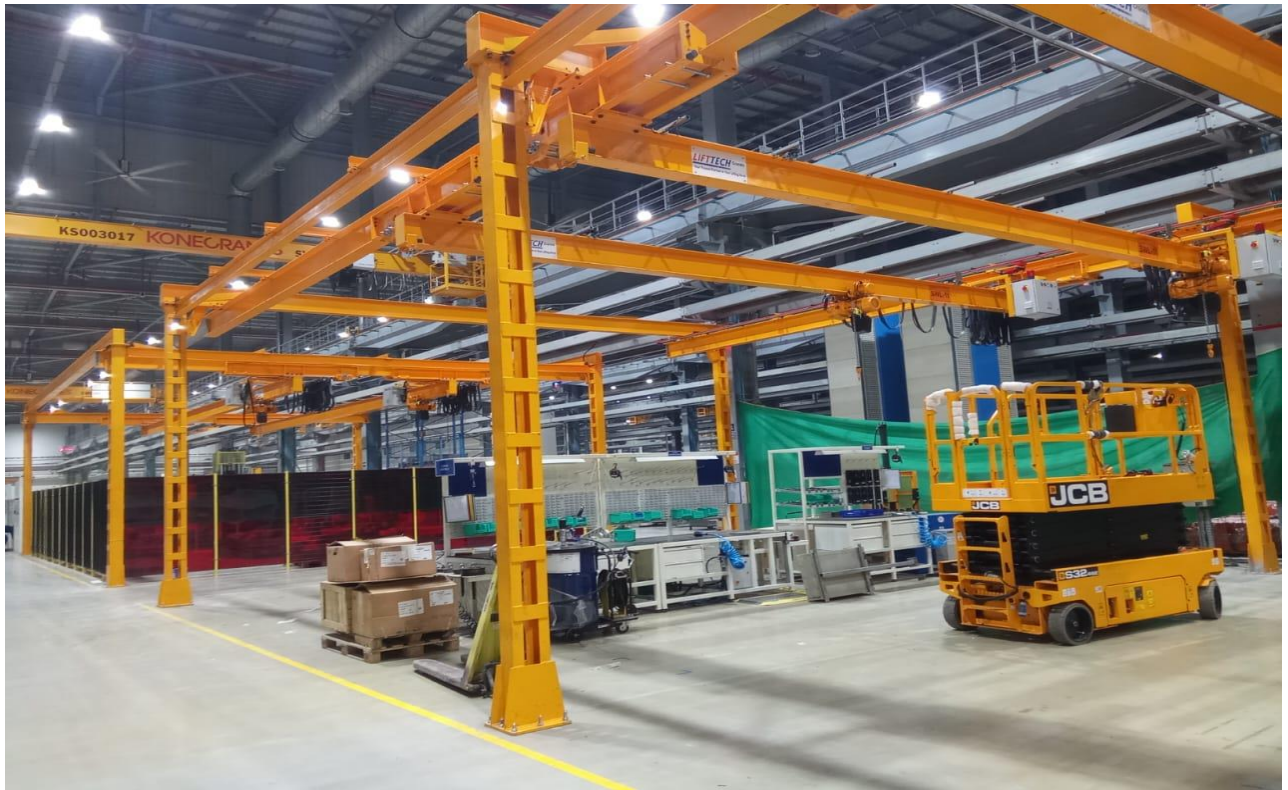
Underslung Crane

SWL	-	1t - 10t
Crane Type	-	Single Girder / Double Girder
Span	-	2.5m - 16m
Height	-	6m - 12m
Application	-	for Continue / Heavy duty



LIFTTECH EQUIP SALES SERVICES AND PACKAGING SOLUTIONS PVT LTD

Shop No. 4, Shivdeep Apartment, S. No. 2351/ 03, Pune Nashik Highway, Balaji Nagar, Medankarwadi, Chakan, Tal- Kheda, Dist- Pune, 410501



LIFTTECH EQUIP SALES SERVICES AND PACKAGING SOLUTIONS PVT LTD

Shop No. 4, Shivdeep Apartment, S. No. 2351/ 03, Pune Nashik Highway, Balaji Nagar, Medankarwadi, Chakan, Tal- Kheda, Dist- Pune, 410501

Goliath Crane / Semi Goliath

SWL	-	125kg - 15t
Crane Type	-	Single Girder / Double Girder
Span	-	2.5m - 30m
Height	-	3m - 15m
Application	-	for Continue / Heavy duty



LIFTTECH EQUIP SALES SERVICES AND PACKAGING SOLUTIONS PVT LTD

Shop No. 4, Shivdeep Apartment, S. No. 2351/ 03, Pune Nashik Highway, Balaji Nagar, Medankarwadi, Chakan, Tal- Kheda, Dist- Pune, 410501

JIB Crane

- SWL - 125kg - 5t
- Crane Type - Manual and Motorized
- Span - 2.5m - 8m
- Height - 3m - 6.5m
- Slewing Motion - 180 / 270 / 360 Degree
- Application - for Continue / Heavy duty



LIFTTECH EQUIP SALES SERVICES AND PACKAGING SOLUTIONS PVT LTD

Shop No. 4, Shivdeep Apartment, S. No. 2351/ 03, Pune Nashik Highway, Balaji Nagar, Medankarwadi, Chakan, Tal- Kheda, Dist- Pune, 410501

LIFTTECH Product - Steel Rail system

- SWL - 125kg – 2t
- Crane Type - Aluminium Profile / Steel Profile
- Crane Motion - Manual and Motorized
- Span - 2.5m – 9m
- Height - 3m – 6m
- Curve Motion - up-to 1.6m radius
- Application - for Continue duty

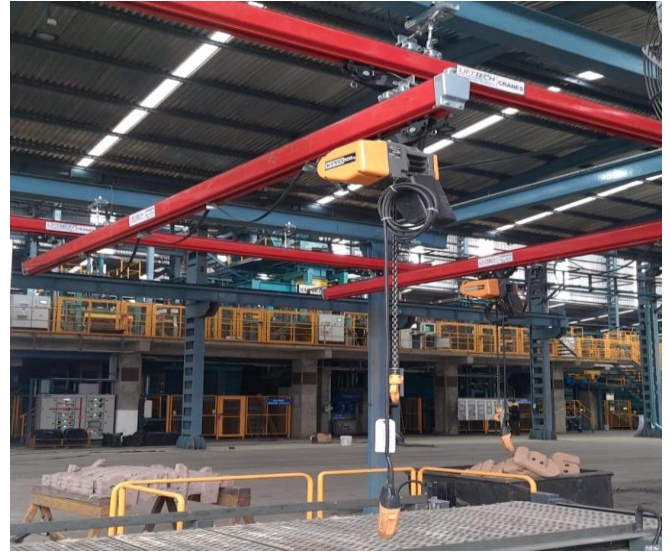
STEEL X-Y Light Crane System & Monorail



PROFILE	LCS-S 2R	LCS-S2	LCS-1	LCS-1R	LCS-1	LCS-1G
PROFILE HEIGHT (mm)	182	182	154	120	110	84
PROFILE WIDTH (mm)	106	106	100	62	62	50
INTERNAL CONDUCTOR RAIL	Yes	No	No	No	No	No

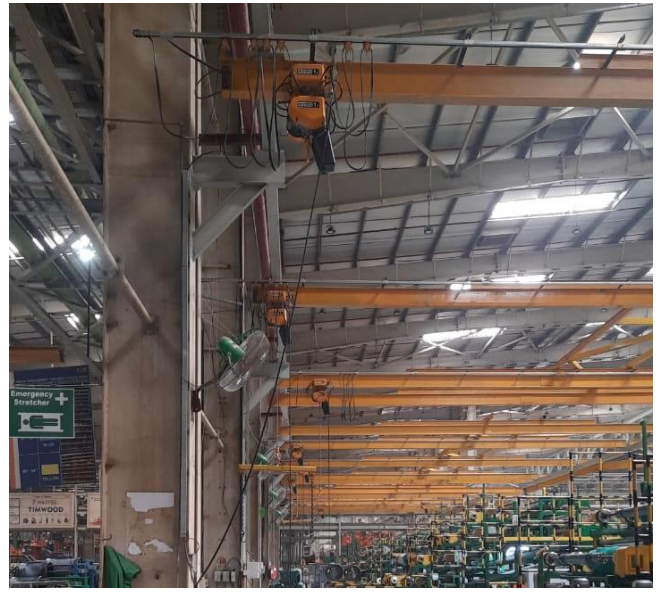
LIFTTECH EQUIP SALES SERVICES AND PACKAGING SOLUTIONS PVT LTD

Shop No. 4, Shivdeep Apartment, S. No. 2351/ 03, Pune Nashik Highway, Balaji Nagar, Medankarwadi, Chakan, Tal- Kheda, Dist- Pune, 410501



LIFTTECH EQUIP SALES SERVICES AND PACKAGING SOLUTIONS PVT LTD

Shop No. 4, Shivdeep Apartment, S. No. 2351/ 03, Pune Nashik Highway, Balaji Nagar, Medankarwadi, Chakan, Tal- Kheda, Dist- Pune, 410501



LIFTTECH EQUIP SALES SERVICES AND PACKAGING SOLUTIONS PVT LTD

Shop No. 4, Shivdeep Apartment, S. No. 2351/ 03, Pune Nashik Highway, Balaji Nagar, Medankarwadi, Chakan, Tal- Kheda, Dist- Pune, 410501

ALLU RAIL- PRODUCT

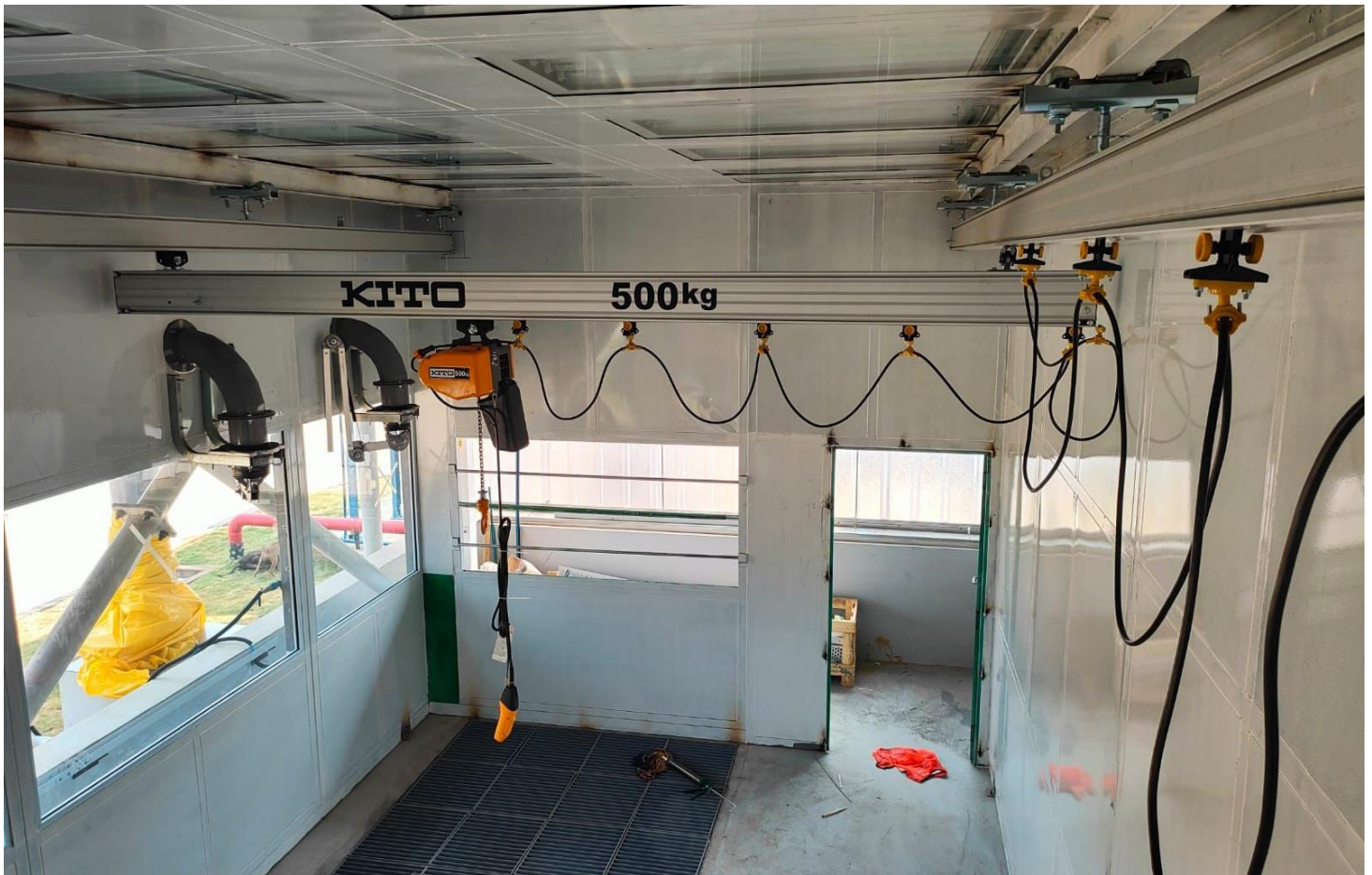
ALLU Light Crane System



PROFILE	Allu 2	Allu 3	Allu 4	Allu 4 R	Allu 5	Allu 5 R
PROFILE HEIGHT (mm)	105	140	180	180	220	220
PROFILE WIDTH (mm)	96	100	100	100	100	100
INTERNAL CONDUCTOR RAIL	No	No	No	Yes	No	Yes

LIFTTECH EQUIP SALES SERVICES AND PACKAGING SOLUTIONS PVT LTD

Shop No. 4, Shivdeep Apartment, S. No. 2351/ 03, Pune Nashik Highway, Balaji Nagar, Medankarwadi, Chakan, Tal- Kheda, Dist- Pune, 410501



LIFTTECH EQUIP SALES SERVICES AND PACKAGING SOLUTIONS PVT LTD

Shop No. 4, Shivdeep Apartment, S. No. 2351/ 03, Pune Nashik Highway, Balaji Nagar, Medankarwadi, Chakan, Tal- Kheda, Dist- Pune, 410501

LIFTTECH Special Lifting Tackel

Heavy valve Lifting



Jumbo Bag Lifting



Auto Component Lifting



LIFTTECH EQUIP SALES SERVICES AND PACKAGING SOLUTIONS PVT LTD

Shop No. 4, Shivdeep Apartment, S. No. 2351/ 03, Pune Nashik Highway, Balaji Nagar, Medankarwadi, Chakan, Tal- Kheda, Dist- Pune, 410501

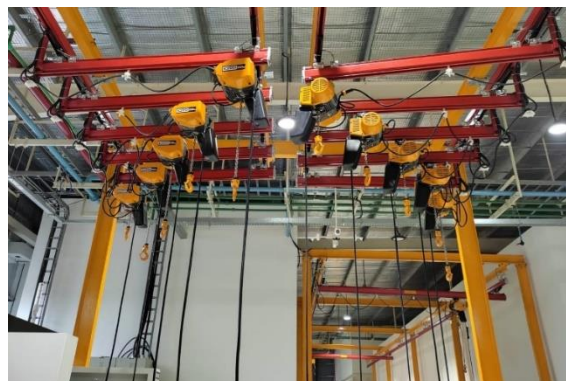
LIFTTECH –KITO PROJECTS



LIFTTECH EQUIP SALES SERVICES AND PACKAGING SOLUTIONS PVT LTD

Shop No. 4, Shivdeep Apartment, S. No. 2351/ 03, Pune Nashik Highway, Balaji Nagar, Medankarwadi, Chakan, Tal- Kheda, Dist- Pune, 410501

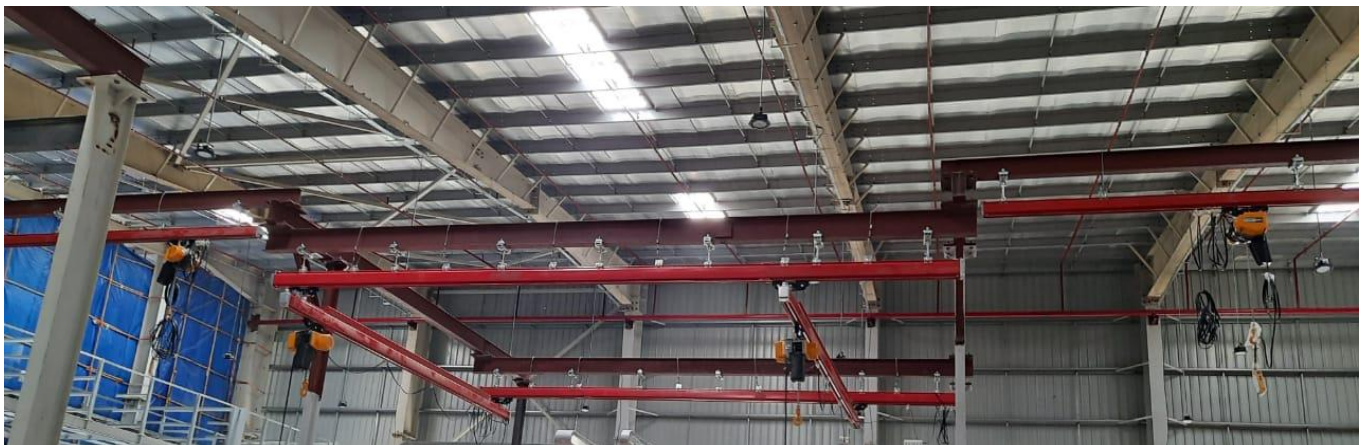
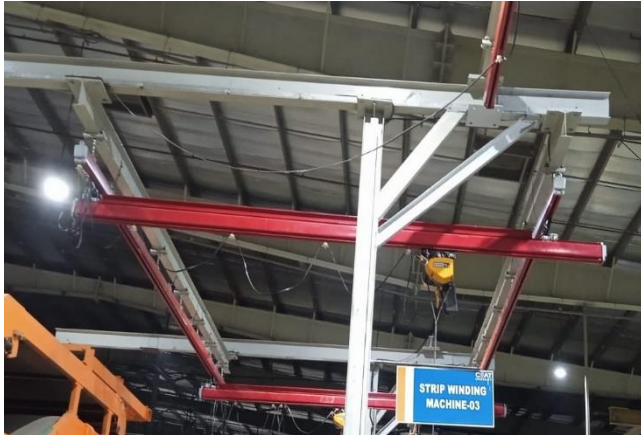
Goliath Cranes / X-Y rail / JIB Crane



LIFTTECH EQUIP SALES SERVICES AND PACKAGING SOLUTIONS PVT LTD

Shop No. 4, Shivdeep Apartment, S. No. 2351/ 03, Pune Nashik Highway, Balaji Nagar, Medankarwadi, Chakan, Tal- Kheda, Dist- Pune, 410501

Goliath Cranes / X-Y rail / JIB Crane



LIFTTECH EQUIP SALES SERVICES AND PACKAGING SOLUTIONS PVT LTD

Shop No. 4, Shivdeep Apartment, S. No. 2351/ 03, Pune Nashik Highway, Balaji Nagar, Medankarwadi, Chakan, Tal- Kheda, Dist- Pune, 410501

INDUSTRIES AND CUSTOMERS WE SERVE

WIND POWER



CLEAN ROOM



AUTOMOBILE



AUTO ANCILLARY



PLASTIC MOULDING



TYRE INDUSTRIES



LIFTTECH EQUIP SALES SERVICES AND PACKAGING SOLUTIONS PVT LTD

Shop No. 4, Shivdeep Apartment, S. No. 2351/ 03, Pune Nashik Highway, Balaji Nagar, Medankarwadi, Chakan, Tal- Kheda, Dist- Pune, 410501

CUSTOMERS WE SERVE



LIFTTECH EQUIP SALES SERVICES AND PACKAGING SOLUTIONS PVT LTD

Shop No. 4, Shivdeep Apartment, S. No. 2351/ 03, Pune Nashik Highway, Balaji Nagar, Medankarwadi, Chakan, Tal- Kheda, Dist- Pune, 410501



Enriching Lives

KIRLOSKAR BROTHERS LIMITED



MSS India Pvt. Ltd.

LIFTTECH EQUIP SALES SERVICES AND PACKAGING SOLUTIONS PVT LTD

Shop No. 4, Shivdeep Apartment, S. No. 2351/ 03, Pune Nashik Highway, Balaji Nagar, Medankarwadi, Chakan, Tal- Kheda, Dist- Pune, 410501



LIFTTECH EQUIP SALES SERVICES AND PACKAGING SOLUTIONS PVT LTD

Shop No. 4, Shivdeep Apartment, S. No. 2351/ 03, Pune Nashik Highway, Balaji Nagar, Medankarwadi, Chakan, Tal- Kheda, Dist- Pune, 410501



LIFTTECH EQUIP SALES SERVICES AND PACKAGING SOLUTIONS PVT LTD

Shop No. 4, Shivdeep Apartment, S. No. 2351/ 03, Pune Nashik Highway, Balaji Nagar, Medankarwadi, Chakan, Tal- Kheda, Dist- Pune, 410501

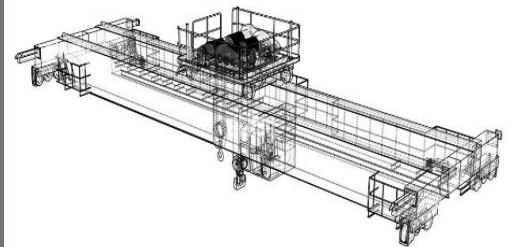
Office - 4, Shivdeep Apartment, Nashik- Pune Highway, Chakan, Pune

Phone: +91- 9028892146

Plant: - INDIA

Customer Care No.: +91 8956107383

Email: ap.mhe@lifttechmail.com • Web: WWW.LIFTTECHEQUIPSALES.COM



LIFTTECH EQUIP SALES SERVICES AND PACKAGING SOLUTIONS PVT LTD

Shop No. 4, Shivdeep Apartment, S. No. 2351/ 03, Pune Nashik Highway, Balaji Nagar, Medankarwadi, Chakan, Tal- Kheda, Dist- Pune, 410501